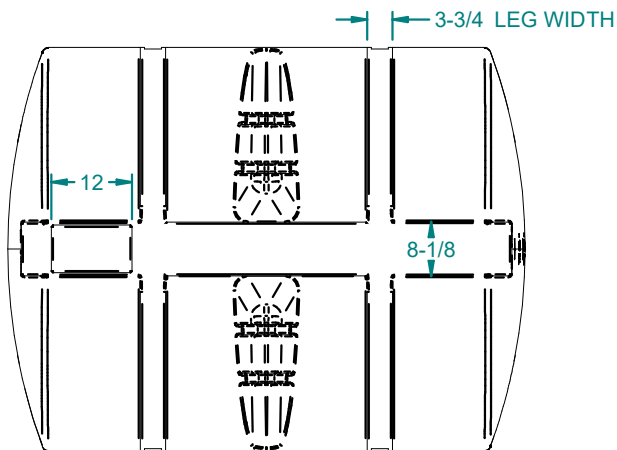
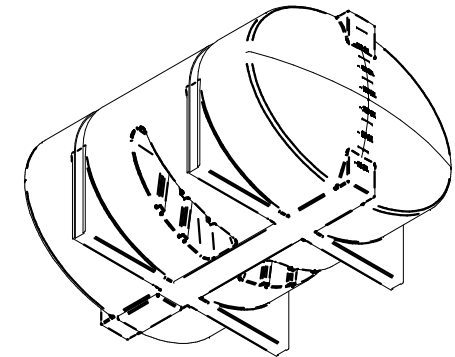
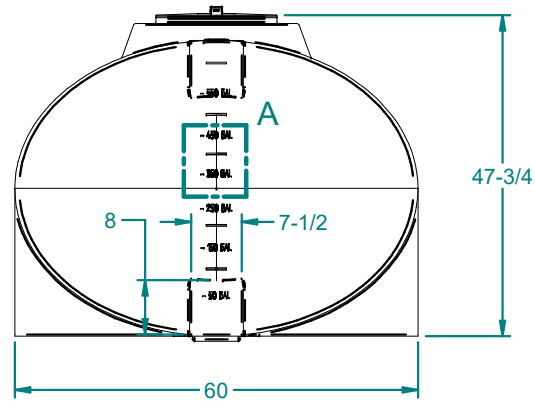
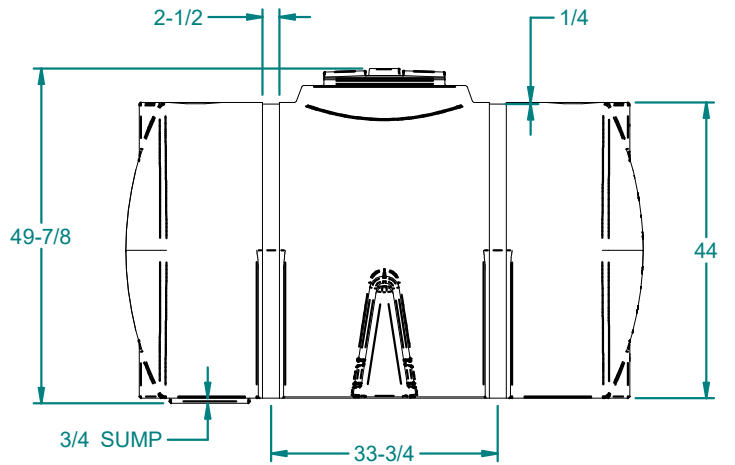
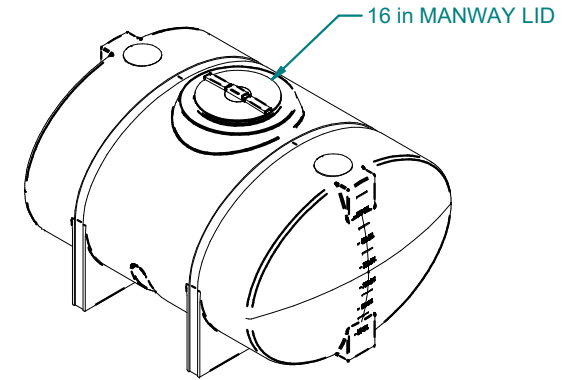



DETAIL A
CALIBRATIONS IN
50 GAL INCREMENTS



REVISION HISTORY				
REV	DESCRIPTION	DATE	APPROVED	Revised By
10	ADJUSTED LEGS WIDTH AND SPACING	05/06/20		

Weight: 220 lbm	NAME	DATE	 16160 Hwy 27 Lake Wales, FL. 33859	
Wall Thickness: 0.312 in	Drawn By: sarant	6/22/2016		
Customer Part No: n/a	Customer APPR		Customer: Dura-Cast Products, Inc.	
Print Date: 5/7/2020	Copyright©2014 Dura-Cast Products, Inc.		Part Title: 600 Gallon Horizontal Elliptical Leg Tank	
Comments: - UNLESS OTHERWISE SPECIFIED DIMENSIONS ARE IN INCHES - Std Radii 3/16"	UNLESS OTHERWISE SPECIFIED TOLERANCES ARE DIMS > 10" ±1% DIMS < 10" ±0.100 WALL THICKNESS ± 20% FLATNESS ± .030 in/in		File Name: 600 Gallon Horizontal Elliptical Leg Tank 01.dft	
	Size: A	Material: LLDPE 939	Rev: 10	
	Part No: 922625-A1100XXI	Do Not Scale	Sheet: 1 OF 1	