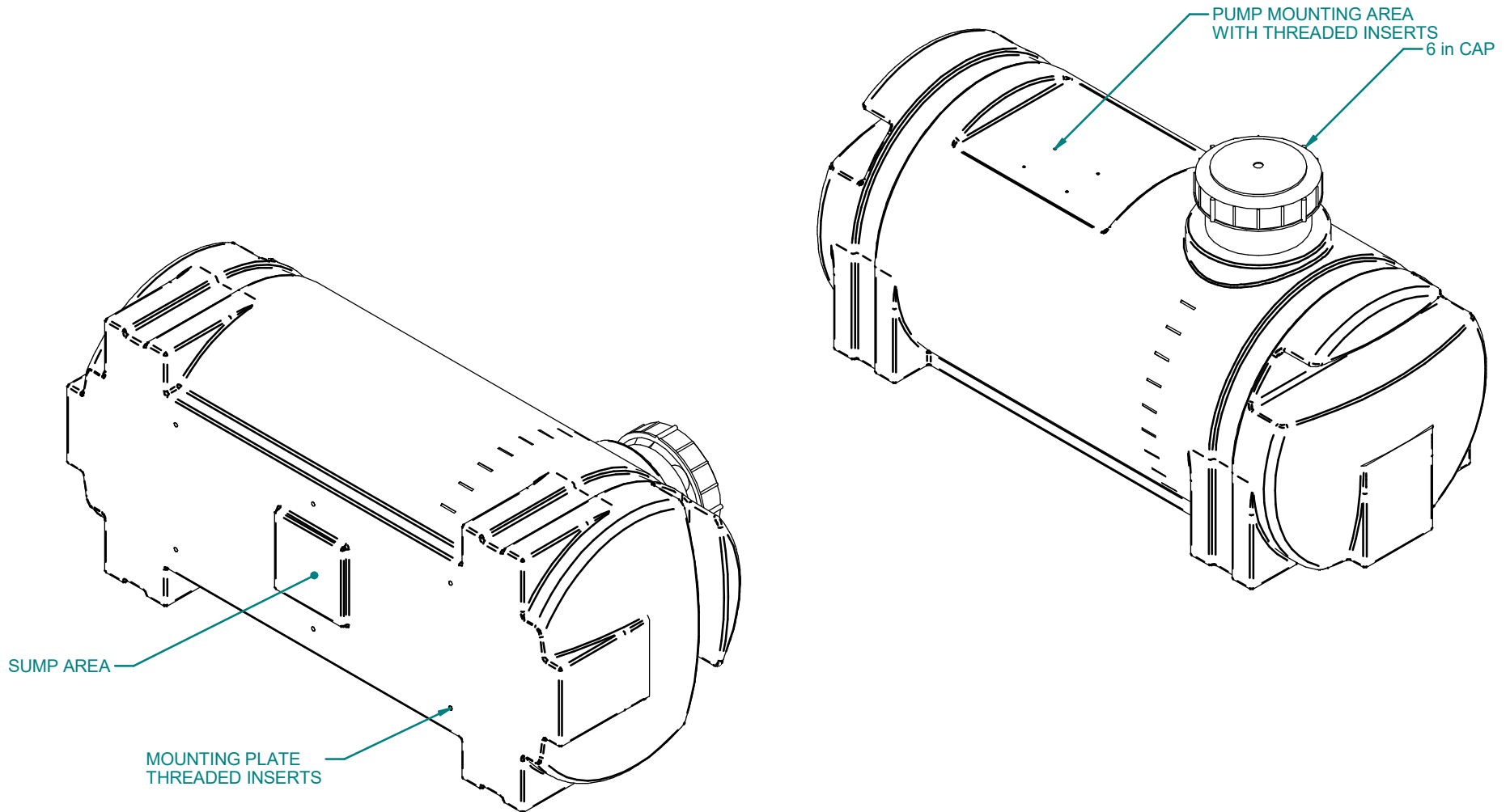



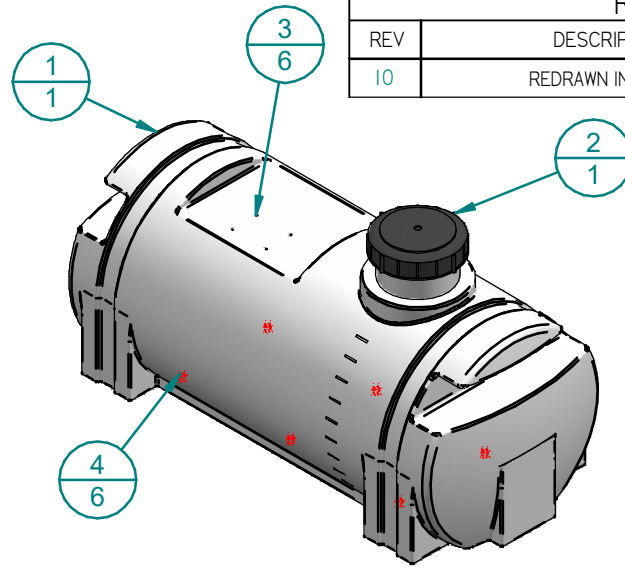
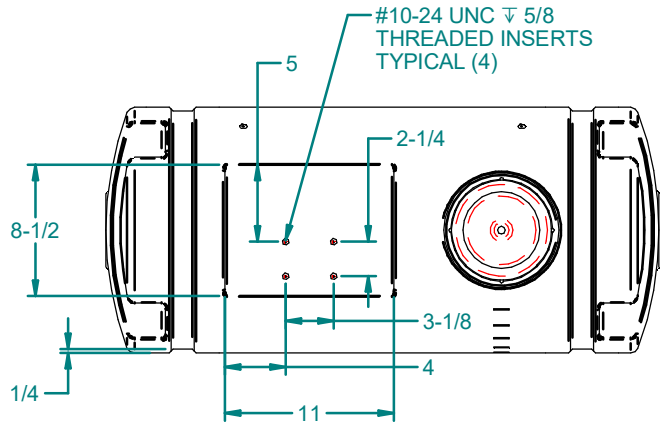
REVISION HISTORY

REV	DESCRIPTION	DATE	APPROVED	Revised By
10	REDRAWN IN S.E. CAD	02/07/20		mnegron



Weight: 15 lbm	NAME	DATE	 16160 Hwy 27 Lake Wales, FL 33859
Wall Thickness: 0.187 in	Drawn By: mnegron	2/6/2020	
Customer Part No: N/A	Customer APPR		Customer: Dura-Cast Products, Inc.
Print Date: 2/7/2020	Copyright©2019 Dura-Cast Products, Inc.		Part Title: #197 25 Gallons Sprayer Tank
UNLESS OTHERWISE SPECIFIED DIMENSIONS ARE IN INCHES AND TOLERANCES ARE: - DIMS > 10": ±1% - PARTING LINE MISMATCH: ±3/32" - DIMS < 10": ±0.100 - PARTING LINE SEAL: 2 psi - STD WELDED RADII 3/16" - WALL THICKNESS: ±20% - INSERT LOCATION: ±1% - SWF ±3/8" (FREE HAND) - FLATNESS: ±0.03 in/in - GRAPHIC LOCATION: ±1% - SWF ±1/8" + 1% (DRILL POINT)			File Name: 25 Gallons Sprayer Tank - 01.dft
Size: A	Material: Polyethylene, low density	Rev: 10	
Part No: 922025-A0100XXI	Do Not Scale	Sheet: 1 OF 2	

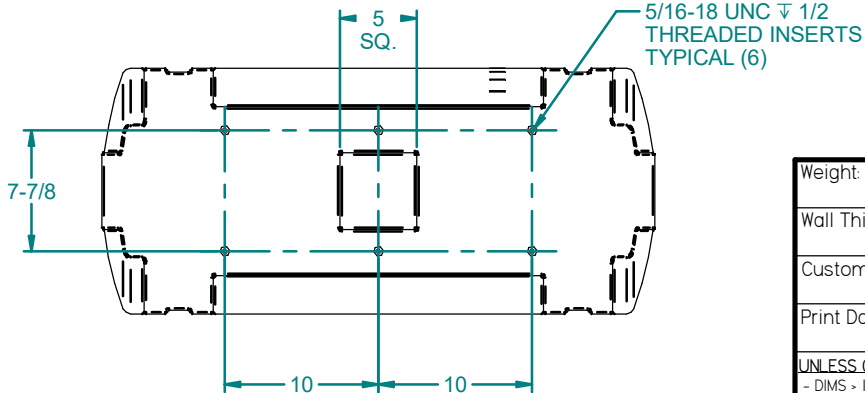
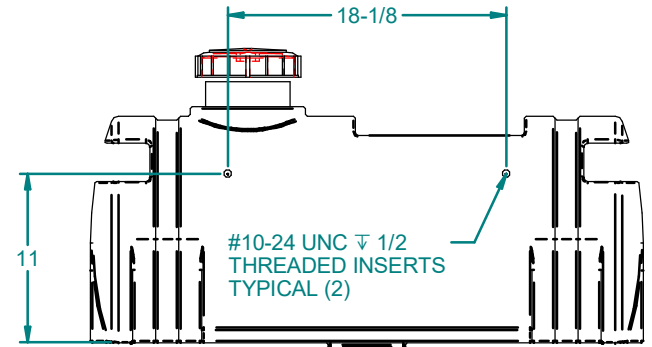
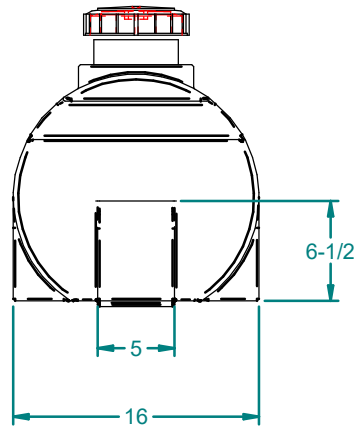
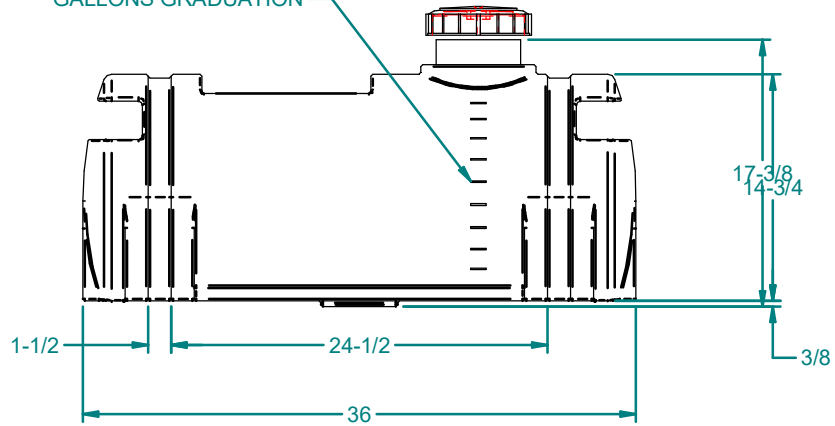
MAIN PRODUCT INFORMATION




REVISION HISTORY

REV	DESCRIPTION	DATE	APPROVED	Revised By
10	REDRAWN IN S.E. CAD	02/07/20		mnegron

GALLONS GRADUATION



Item Number	Document Number	Title	Quantity
1	922025-M0100XX1	MOLDED: #197 25 Gal Sprayer Tank	1
2	751005_2	6 in Female Lid with Breather	1
3	700003	10-24 Aluminum Hex Insert	6
4	7004815-16MM	5/16-24 Zinc Die Cast Insert	6

Weight: 15 lbm	NAME	DATE	 16160 Hwy 27 Lake Wales, FL. 33859
Wall Thickness: 0.187 in	Drawn By: mnegron	2/6/2020	
Customer Part No: N/A	Customer APPR		Customer: Dura-Cast Products, Inc.
Print Date: 2/7/2020	Copyright©2019 Dura-Cast Products, Inc.		Part Title: #197 25 Gallons Sprayer Tank
UNLESS OTHERWISE SPECIFIED DIMENSIONS ARE IN INCHES AND TOLERANCES ARE: - DIMS > 10": ±1% - PARTING LINE MISMATCH: ±3/32" - DIMS < 10": ±0.100 - PARTING LINE SEAL: 2 psi - STD WELDED RADII 3/16" - WALL THICKNESS: ±20% - INSERT LOCATION: ±1% - SWF ±3/8" (FREE HAND) - FLATNESS: ±0.03 in/in - GRAPHIC LOCATION: ±1% - SWF 1/8" + 1% (DRILL POINT)			File Name: 25 Gallons Sprayer Tank - 01.dft
Size: A	Material: Polyethylene, low density	Rev: 10	
Part No: 922025-A0100XX1	Do Not Scale	Sheet: 2 OF 2	