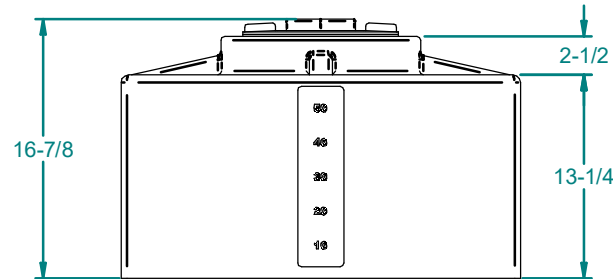
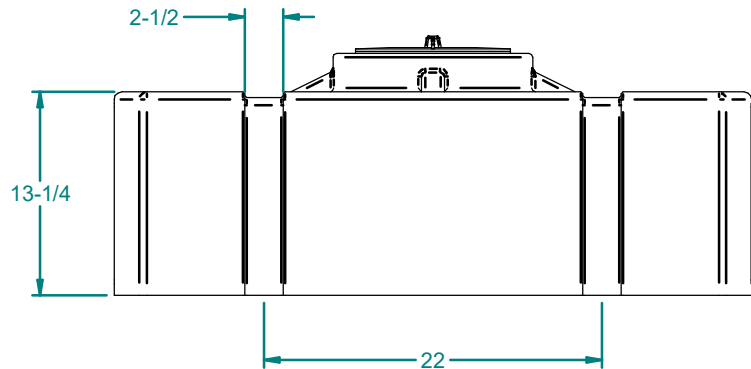
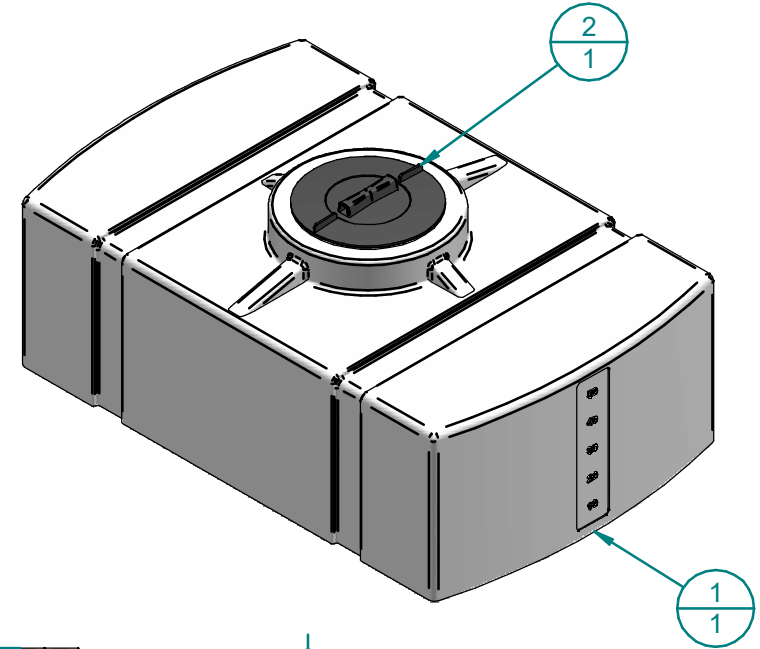
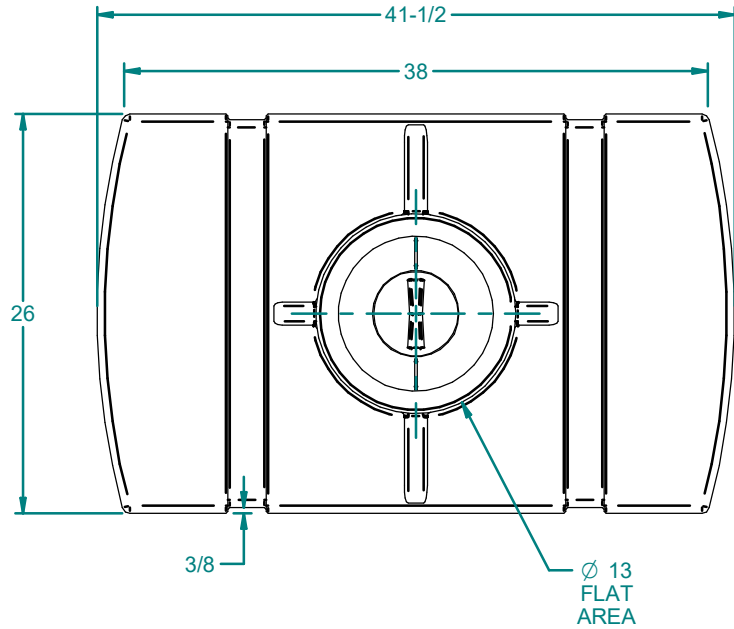



REVISION HISTORY

REV	DESCRIPTION	DATE	APPROVED	Revised By
10	REDRAWN IN S.E. CAD	02/07/20		mnegron



Weight: 25 lbm	NAME	DATE	 <p>16160 Hwy 27 Lake Wales, FL 33859</p>
Wall Thickness: 0.187 in	Drawn By: mnegron	2/7/2020	
Customer Part No: N/A	Customer APPR		Customer: Dura-Cast Products, Inc.
Print Date: 2/7/2020	Copyright©2019 Dura-Cast Products, Inc.		PartTitle: 50 Gallons Loaf Tank
UNLESS OTHERWISE SPECIFIED DIMENSIONS ARE IN INCHES AND TOLERANCES ARE:			File Name: 921050 - 50 Gallons Loaf Tank - 01.dft
- DIMS > 10": ±1%	- PARTING LINE MISMATCH: ±3/32"	- STD WELDED RADII 3/16"	Size: A
- DIMS < 10": ±0.100	- PARTING LINE SEAL: 2 psi	- SWF ±3/8" (FREE HAND)	Material: Polyethylene, low density
- WALL THICKNESS: ±20%	- INSERT LOCATION: ±1%	- SWF ±1/8" + 1% (DRILL POINT)	Rev: 10
- FLATNESS: ±0.03 in/in	- GRAPHIC LOCATION: ±1%		Part No: 921050-AH100XXI
			Do Not Scale
			Sheet: 1 OF 1

Item Number	Document Number	Title	Quantity
1	921050-MH100XX1	MOLDED: 50 Gallons Loaf Tank	1
2	751008	8" Vented Manway	1