

Tank plastic resin is fully FDA compliant based upon manufacturer's specifications

**Tank resins are fully UV stabilized**

Tanks meet ABYC and USCG requirements for marine water and holding tank applications

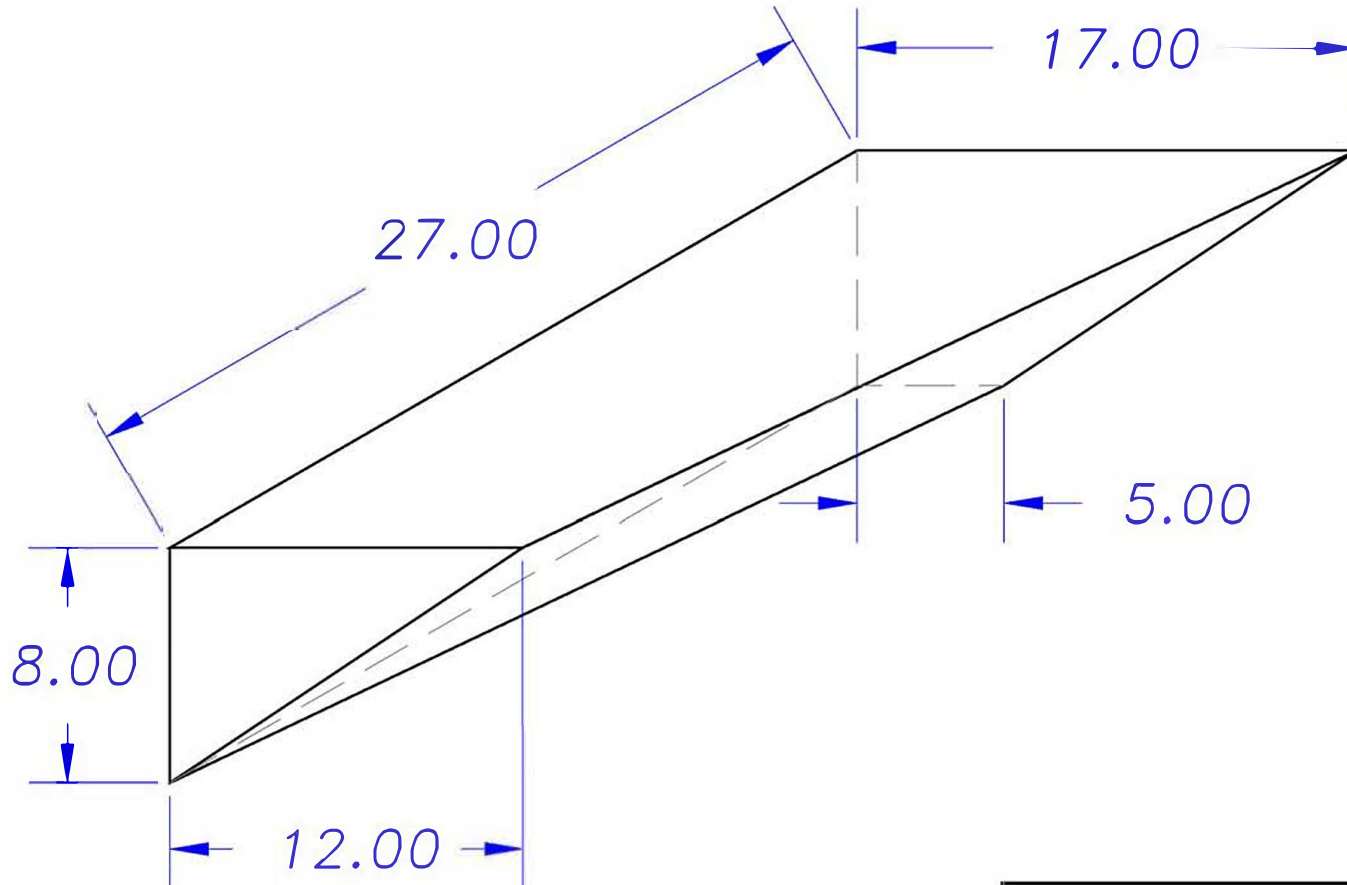
Tanks are not rated for gasoline or aromatic solvents

Allow +/- 1% on tank dimensions for overall size variances

Most size tanks are available in standard wall thickness shown or Heavy Duty

Tanks are designed to be used in a horizontal position. Rectangular tanks used in vertical position may require additional wall thickness or external support


Vent hole on tank will be closed if not used for fitting location



REVISION HISTORY			
REV	DESCRIPTION	DATE	APPROVED

Wall Thickness: 0.200

Tank Capacity: 7 Gallons		
	NAME	DATE
DRAWN	M.PUTT	9/01/2004
CHECKED		
ENG APPR		
MGR APPR		
UNLESS OTHERWISE SPECIFIED DIMENSIONS ARE IN INCHES ANGLES ±0.5° 2 PL ±0.125° 3 PL ±0.060°		

 <b>DURACAST</b>		16160 Hwy 27 Lake Wales, FL 33859 DuraCast.com 863.638.3200
TITLE <b>Marine Water / Holding Tank</b>		
SIZE A	MATERIAL: <b>LMDPE Natural</b>	REV
Part #: <b>204007</b>		
WEIGHT: <b>6#</b>		SHEET 1 OF 1