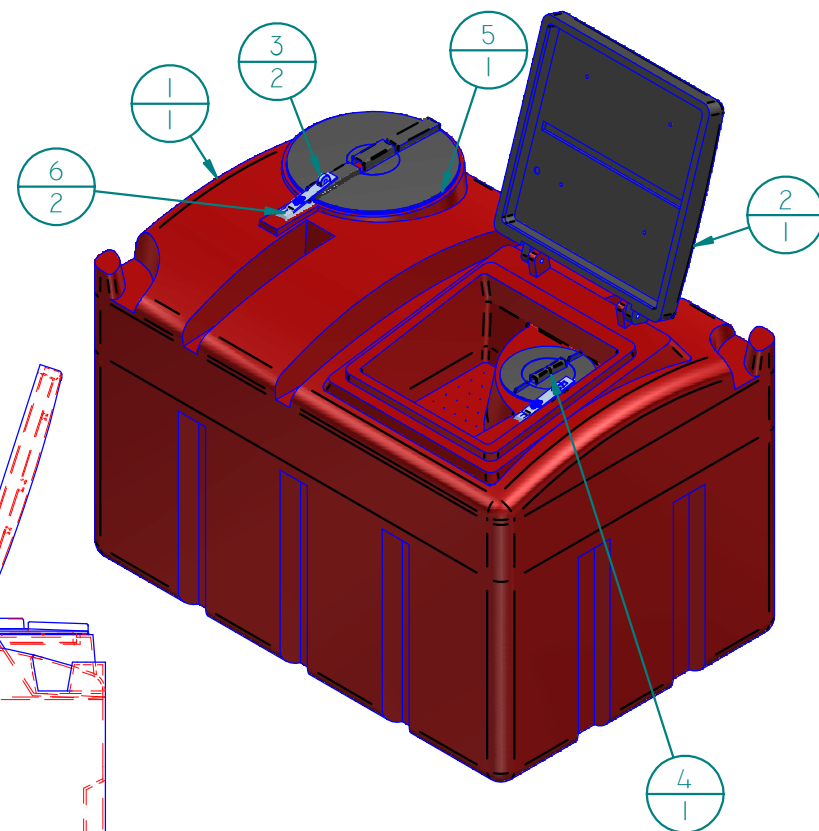


REVISION HISTORY				
REV	DESCRIPTION	DATE	APPROVED	Revised By
A	INITIAL RELEASE	08/13/12		

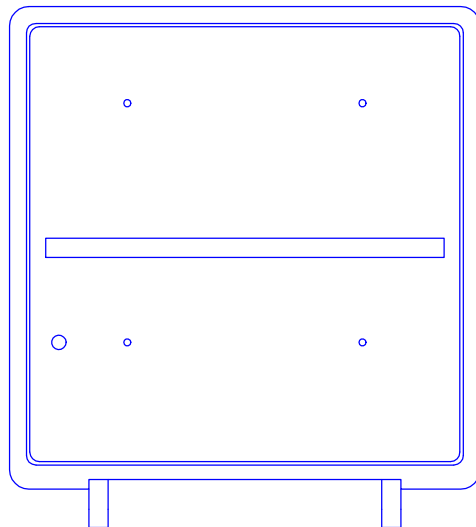
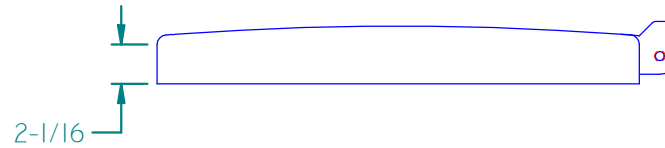
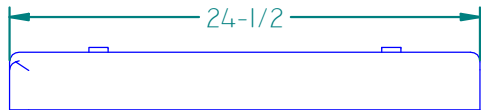
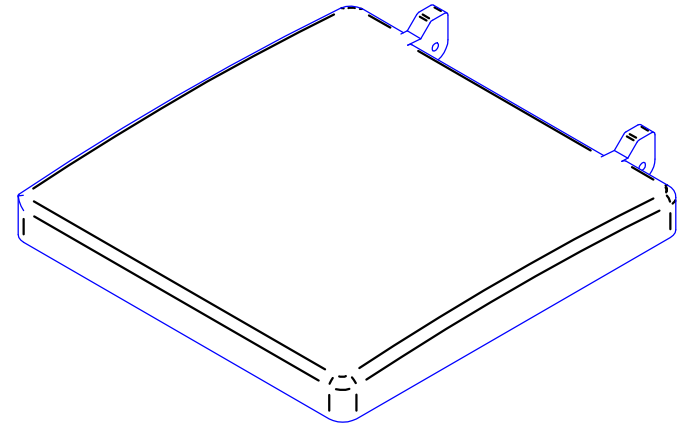
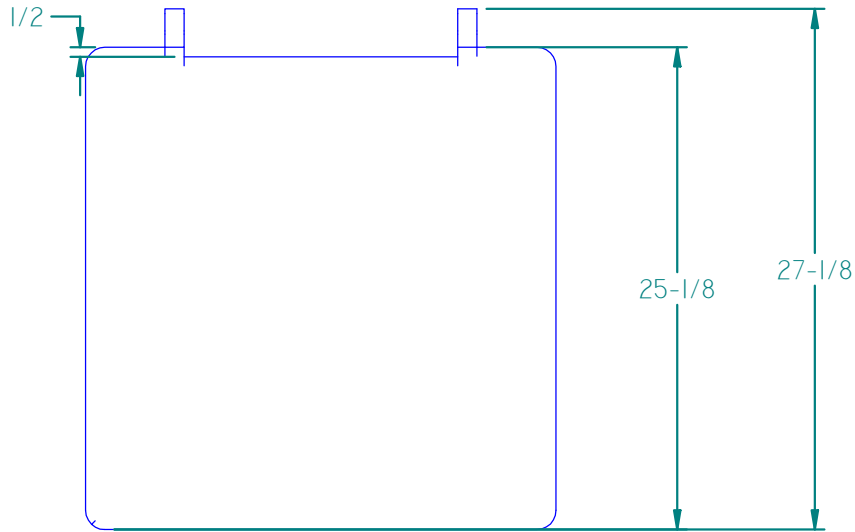


Item Number	Document Number	Title	Quantity
1	920326	325 Gal Bio Diesel Tank	1
2	920302	Bio Diesel Lid	1
3		7-1/4" Hardened Steel Hasp - Tie Down	2
4	751008T	8" Vented Manway, Tethered	1
5	751016	16 in Vented Manway	1
6	406054	7-1/4" Hardened Steel Hasp - Sub Assy	2

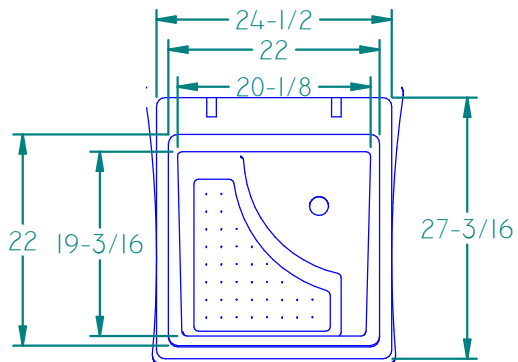
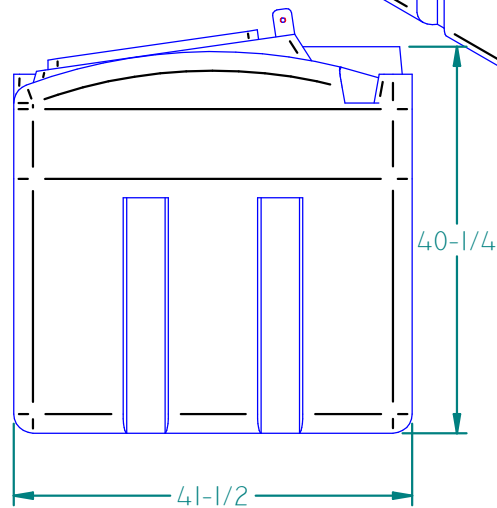
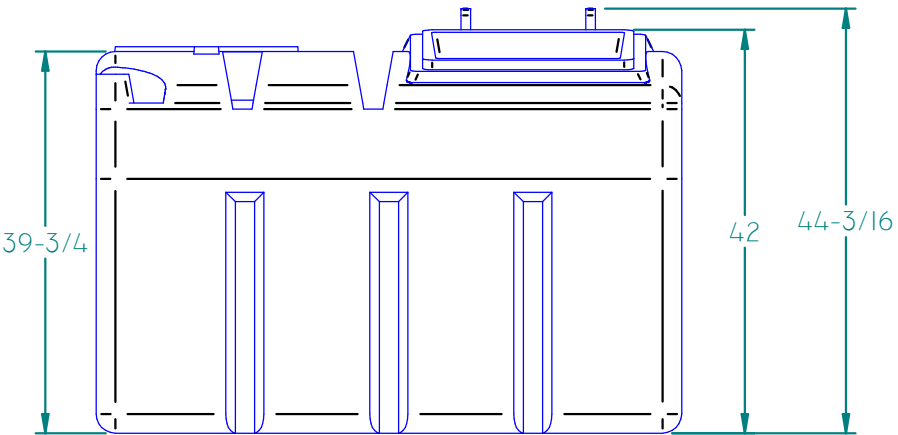
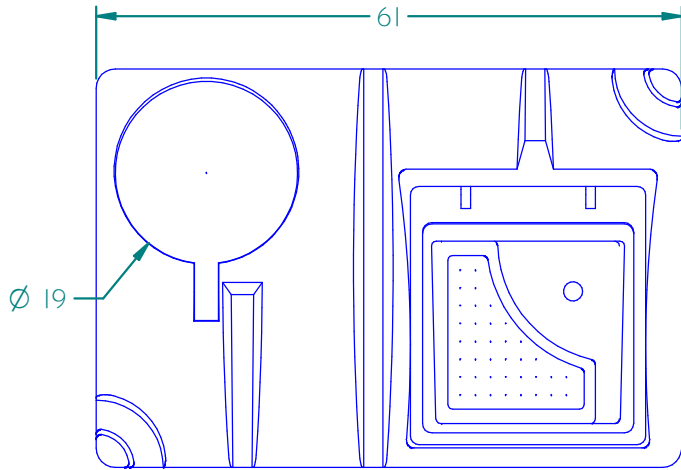
Weight: 124.900 lbm	NAME	DATE	 16160 Hwy 27 Lake Wales, FL. 33859	
Wall Thickness: See Part Details	DRAWN By: mnegron	8/13/2012		
Customer Part No: N/A	Customer APPR		Customer: Dura-Cast Products, Inc	
Print Date: 8/13/2012	COPYRIGHT©2012 DURA-CAST PRODUCTS, INC.		Part Title: 325 Gal Bio Diesel Tank Assy	
Comments: - UNLESS OTHERWISE SPECIFIED DIMENSIONS ARE IN INCHES - Std Radii 3/16"	Tolerance: UNLESS OTHERWISE SPECIFIED TOLERANCES ARE ±1%		File Name: 325 Gal Bio Diesel Tank.dft	
	Size: A	Material:	Rev: A	
	Part No: 920326	Do Not Scale	Sheet:	1 OF 3

REVISION HISTORY

REV	DESCRIPTION	DATE	APPROVED	Revised By
A	INITIAL RELEASE	08/13/12		

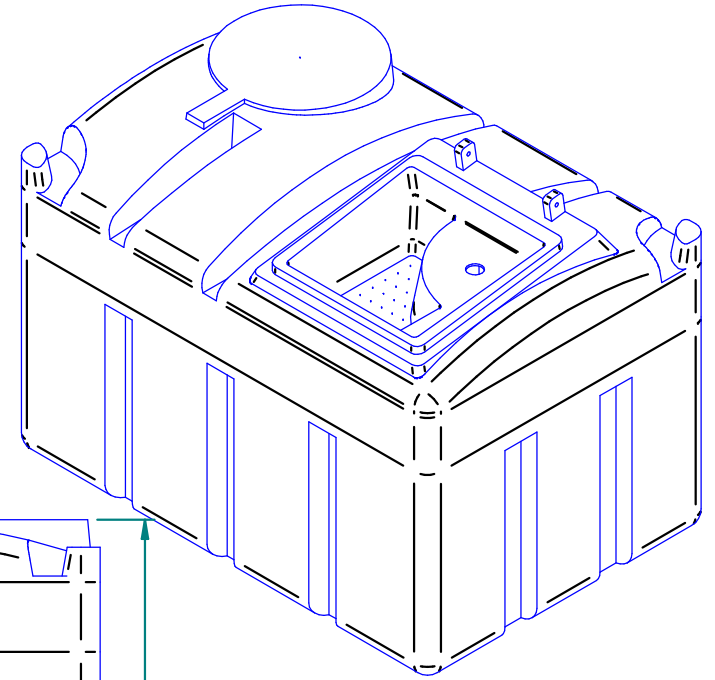



Weight: 7.501 lbm	NAME mnegron	DATE 8/13/2012	 <p>16160 Hwy 27 Lake Wales, FL. 33859</p>
Wall Thickness: 0.125 in	DRAWN By:		
Customer Part No: N/A	Customer APPR		Customer: Dura-Cast Products, Inc
Print Date: 8/13/2012	COPYRIGHT©2012 DURA-CAST PRODUCTS, INC.		Part Title: Bio Diesel Lid
Comments: - UNLESS OTHERWISE SPECIFIED DIMENSIONS ARE IN INCHES - Std Radii 3/16"	Tolerance: UNLESS OTHERWISE SPECIFIED TOLERANCES ARE ±1%		File Name: 325 Gal Bio Diesel Tank.dft
	Size: A	Material:	Rev: A
	Part No: 920300LID	Do Not Scale	Sheet: 2 OF 3



### REVISION HISTORY

REV	DESCRIPTION	DATE	APPROVED	Revised By
A	INITIAL RELEASE	08/13/12		



Weight: 120.068 lbm	NAME	DATE	 16160 Hwy 27 Lake Wales, FL. 33859		
Wall Thickness: 0.250 in	DRAWN By: mnegron	8/13/2012			
Customer Part No: N/A	Customer APPR		Customer: Dura-Cast Products, Inc		
Print Date: 8/13/2012	COPYRIGHT © 2012 DURA-CAST PRODUCTS, INC.		Part Title: 325 Gal Bio Diesel Tank		
Comments: - UNLESS OTHERWISE SPECIFIED DIMENSIONS ARE IN INCHES - Std Radii 3/16"	Tolerance:		File Name: 325 Gal Bio Diesel Tank.dft		
	UNLESS OTHERWISE SPECIFIED TOLERANCES ARE ±1%		Size: A	Material:	Rev: A
			Part No: 920300-2	Do Not Scale	Sheet: 3 OF 3