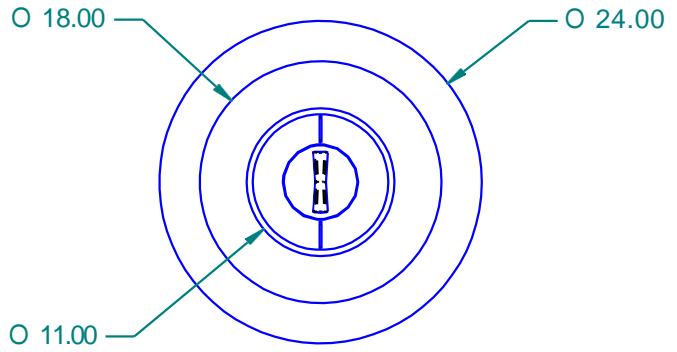
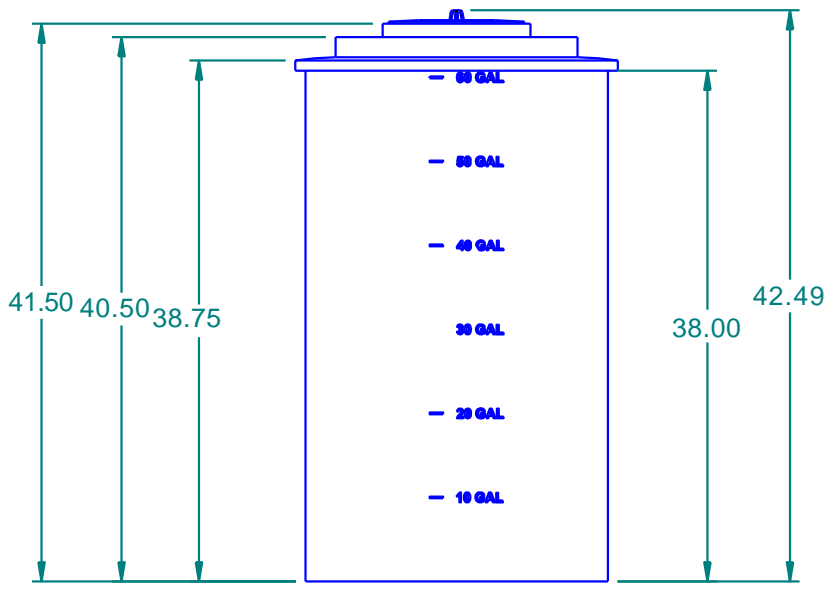


REVISION HISTORY

REV	DESCRIPTION	DATE	APPROVED
10	UPDATED DRAWING ACCORDING TO CURRENT TANK	04/15/11	



Top View

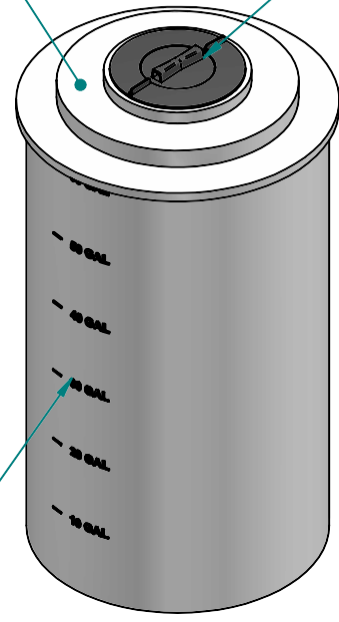


Side View

22.50

wall thickness: .230"

16" MANWAY OPTION
8" manway



ISO View

TANK IS CALIBRATED IN 10GAL INCREMENTS

Tank Capacity: 65 Gallons																	
<table border="1"> <thead> <tr> <th></th> <th>NAME</th> <th>DATE</th> </tr> </thead> <tbody> <tr> <td>DRAWN</td> <td>mnegron</td> <td>4/15/2011</td> </tr> <tr> <td>CHECKED</td> <td></td> <td></td> </tr> <tr> <td>ENG APPR</td> <td></td> <td></td> </tr> <tr> <td>MGR APPR</td> <td></td> <td></td> </tr> </tbody> </table>		NAME			DATE	DRAWN	mnegron	4/15/2011	CHECKED			ENG APPR			MGR APPR		
	NAME	DATE															
DRAWN	mnegron	4/15/2011															
CHECKED																	
ENG APPR																	
MGR APPR																	
UNLESS OTHERWISE SPECIFIED DIMENSIONS ARE IN INCHES ANGLES ±0.5° 2 PL ±0.125" 3 PL ±0.060"			REV 10														