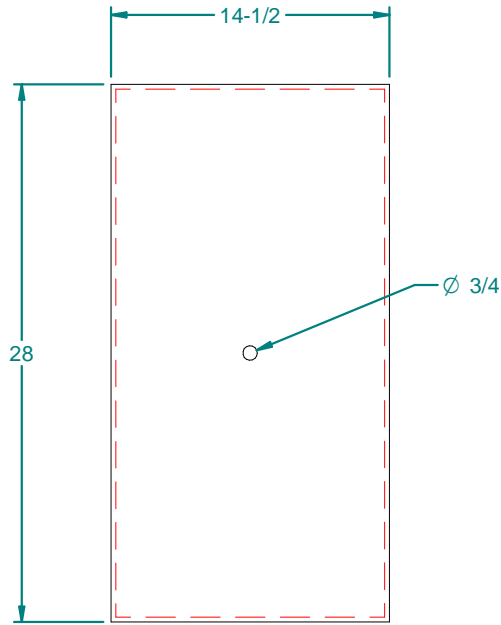


REVISION HISTORY

REV	DESCRIPTION	DATE	APPROVED



tanks are designed to be used in a horizontal position. rectangular tanks used in vertical position may require additional wall thickness or external support

tanks are not rated for gasoline or aromatic solvents

tank resins are fully uv stabilized

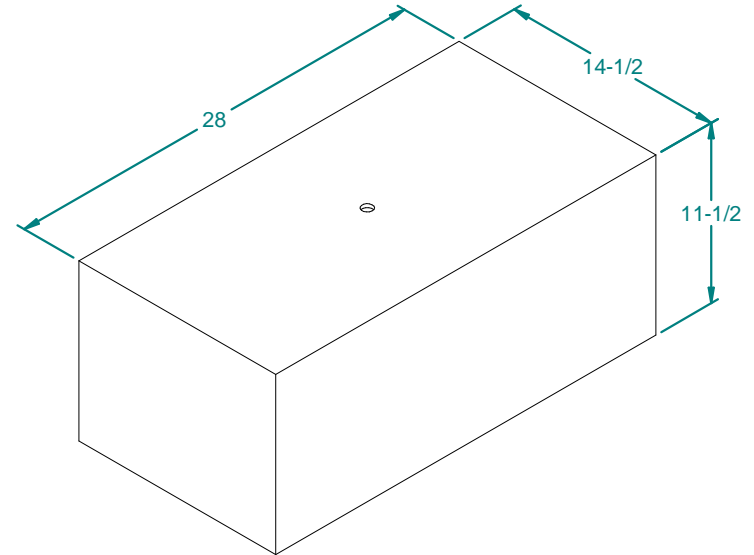
most size tanks are available in standard wall thickness shown or heavy duty

allow +/- 1% on tank dimensions for overall size variances

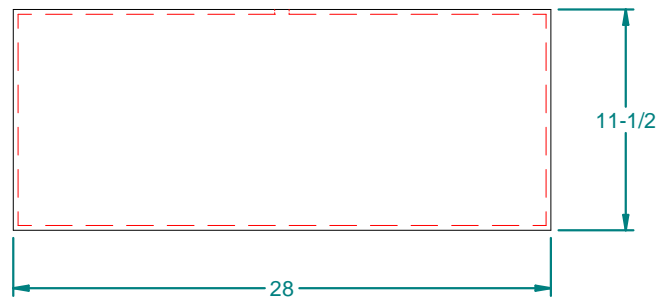
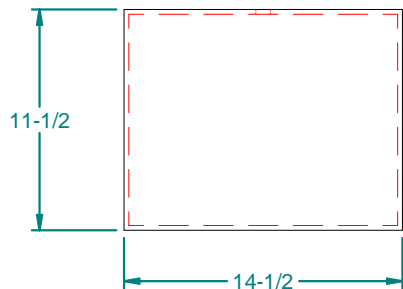
vent hole on tank will be welded shut if not used for fitting location

tank plastic resin is fda compliant based on manufacturer's specifications


tanks meet abyc and uscg requirements for marine water and holding tank applications



ISO VIEW 103020



TANK CAPACITY: 20 GALLONS

Weight: 15 lbm	NAME	DATE	 16160 Hwy 27 Lake Wales, FL. 33859
Wall Thickness: 0.250 in	Drawn By: mnegron	6/22/2016	
Customer Part No: N/A	Customer APPR		
Print Date: 9/27/2019	Copyright©2019 Dura-Cast Products, Inc.		
UNLESS OTHERWISE SPECIFIED DIMENSIONS ARE IN INCHES AND TOLERANCES ARE:			Customer: General Purpose Tank
- DIMS > 10": ±1%	- PARTING LINE MISMATCH: ±3/32"	- STD WELDED RADII 3/16"	PartTitle: 20 Gallon Plastic Tank
- DIMS < 10": ±0.100	- PARTING LINE SEAL: 2 psi	- SWF ±3/8" (FREE HAND)	File Name: 103020-02.dft
- WALL THICKNESS: ±20%	- INSERT LOCATION: ±1%	- SWF ±1/8" + 1% (DRILL POINT)	Size: A Material: Polyethylene, low density Rev: 00
- FLATNESS: ±0.03 in/in	- GRAPHIC LOCATION: ±1%		Part No: 103020 Do Not Scale Sheet: 1 OF 1