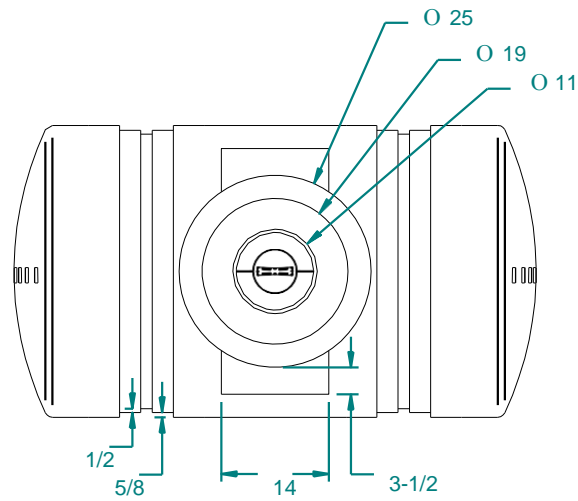


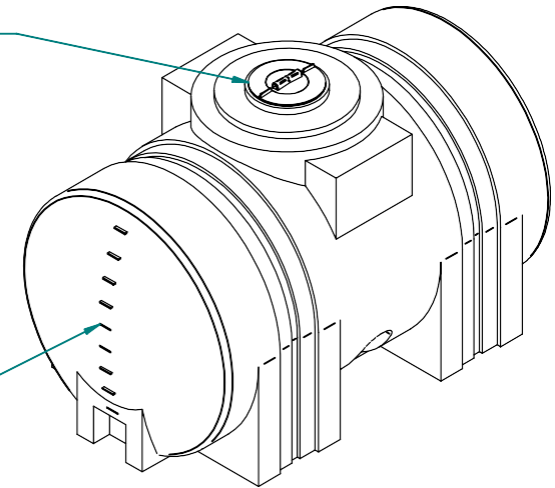
325 Gal Horizontal Leg Tank

REVISION HISTORY

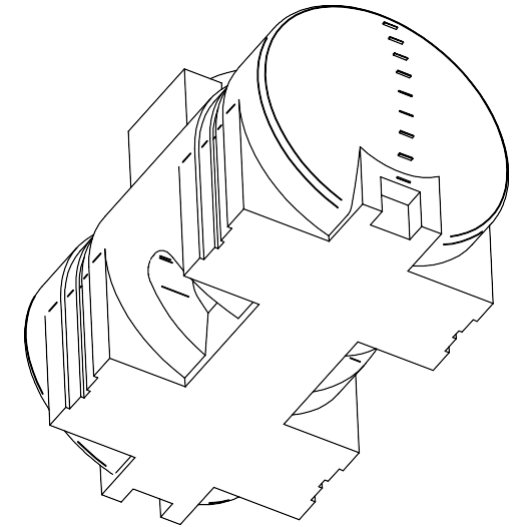
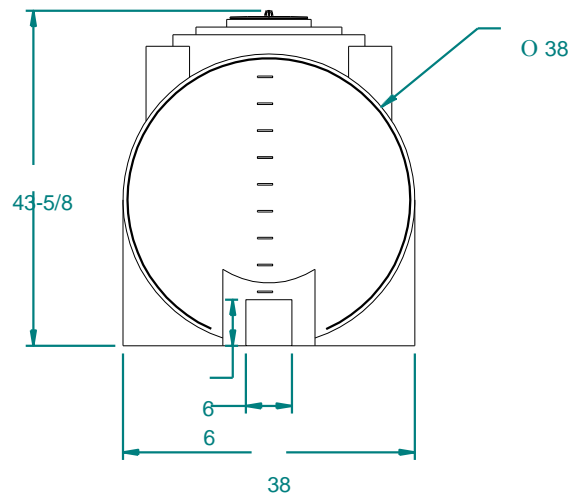
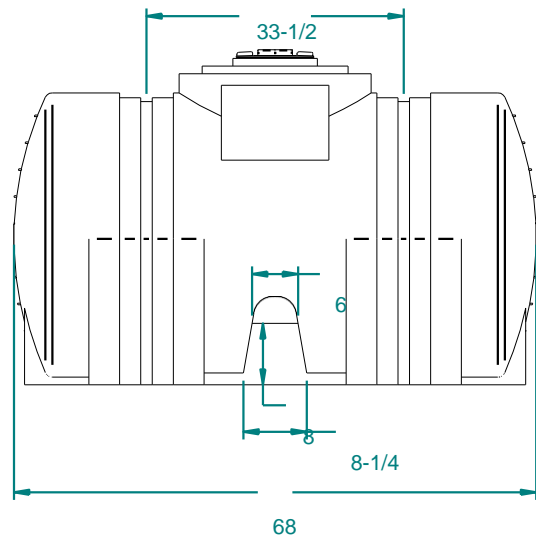
REV	DESCRIPTION	DATE	APPROVED	Revised By
010	Updated Product Drawing	2/5/15		



Standard 8" Vented Manway (DCP #751008)
(Optional 16" and 22" Manway)



Calibrations in 25 Gal Increments (Typ. Both Ends)



Weight: 130 lbm	NAME: S. Arant	DATE: 1/12/2015	<p>16160 Hwy 27 Lake Wales, FL 33859</p>	
Wall Thickness: 0.375 in	Drawn By:			
Customer Part No: NA	Customer APPR:		Part Title: 325 Gal Horizontal Leg Tank	
Print Date: 2/5/2015	Copyright © 2015 Dura-Cast Products, Inc.		File Name: 325 Gal Horizontal Leg Tank.dft	
Comments: - UNLESS OTHERWISE SPECIFIED DIMENSIONS ARE IN INCHES - Std Radii 3/16"	UNLESS OTHERWISE SPECIFIED TOLERANCES ARE: DIMS > 10" ±1% DIMS < 10" ±0.100 WALL THICKNESS ±20% FLATNESS ±.030 in/in		Size: A	Material: HDPE942
	Part No: 920325-A0200XX1	Do Not Scale	Sheet: 1	Rev: 01