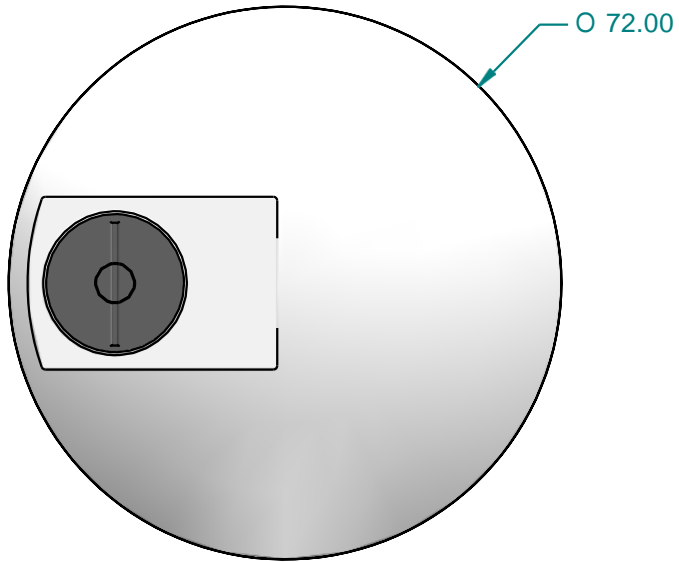
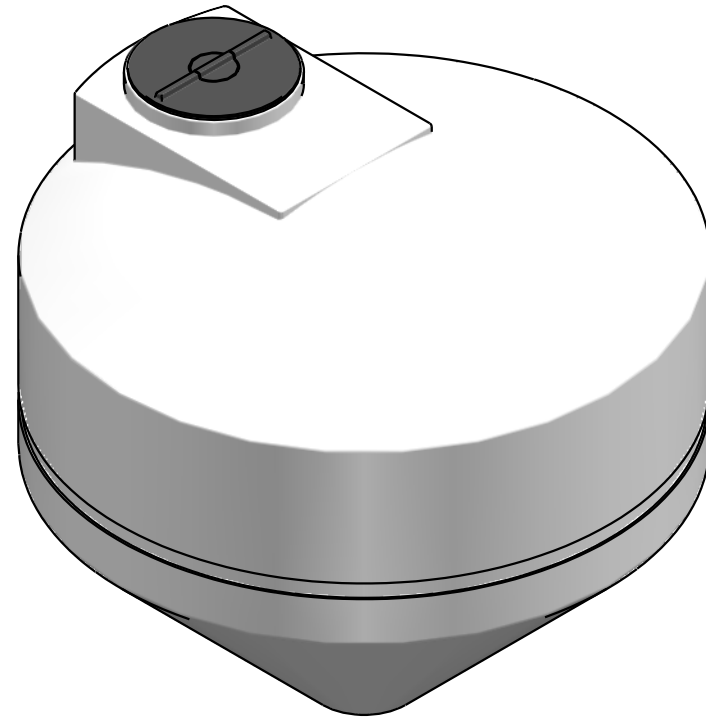


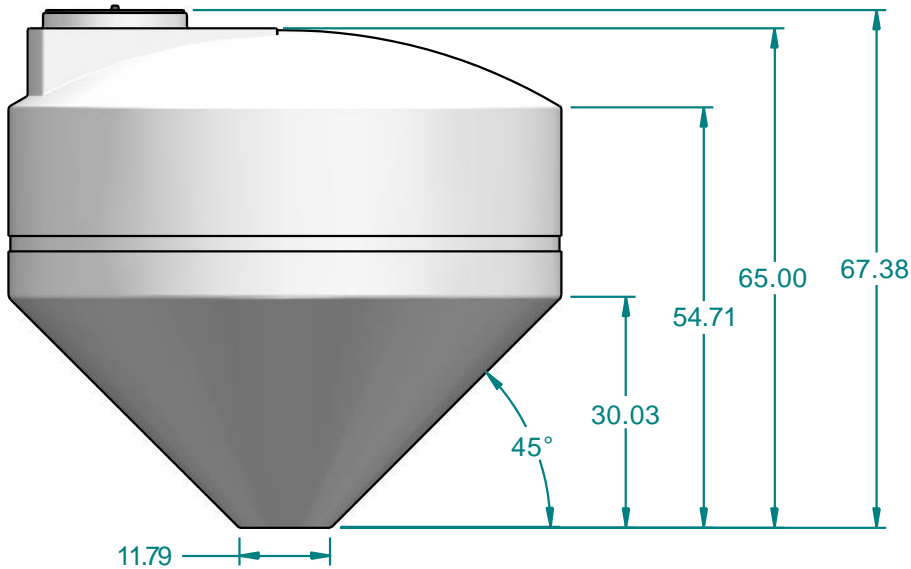
REVISION HISTORY			
REV	DESCRIPTION	DATE	APPROVED



Top View



ISO View



Side View

wall thickness: .230"

Tank Capacity: 700 Gallons				
DRAWN mputt 4/27/2005			16160 Hwy 27 Lake Wales, FL 33859	
CHECKED			TITLE 700 Gallon Cone Tank	
ENG APPR			SIZE A	MATERIAL hdpe natural 1.2 spg
MGR APPR			REV	
UNLESS OTHERWISE SPECIFIED DIMENSIONS ARE IN INCHES ANGLES ±0.5° 2 PL ±0.125" 3 PL ±0.060"				
FILE NAME: C700 Tank.dft			PART#: 910700	WEIGHT: 147.081 lbm
			SHEET 1 OF 1	