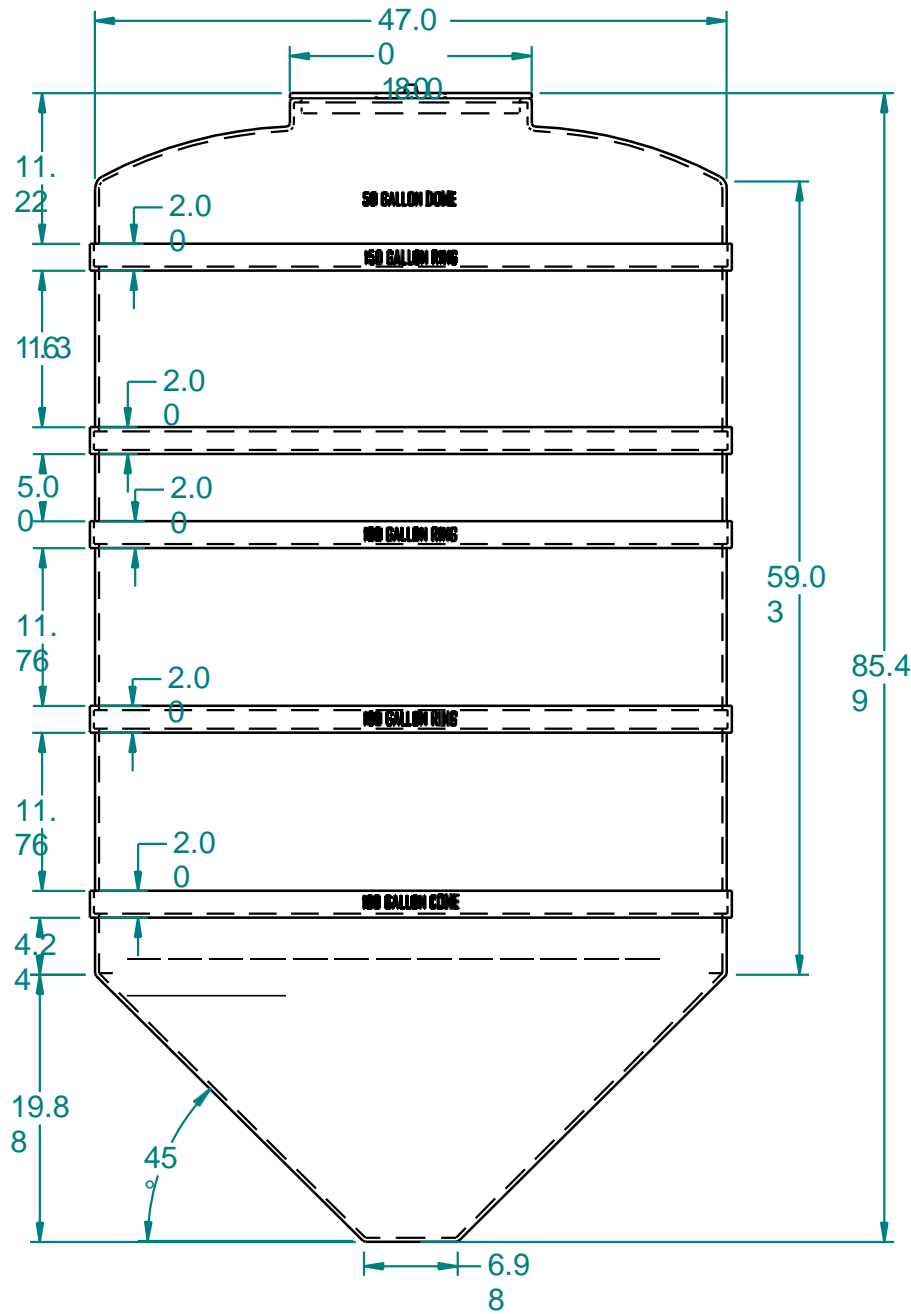


REVISION HISTORY

RE	DESCRIPTION	DAT	APPROVED
V	approved for production	E 10/1/2003	

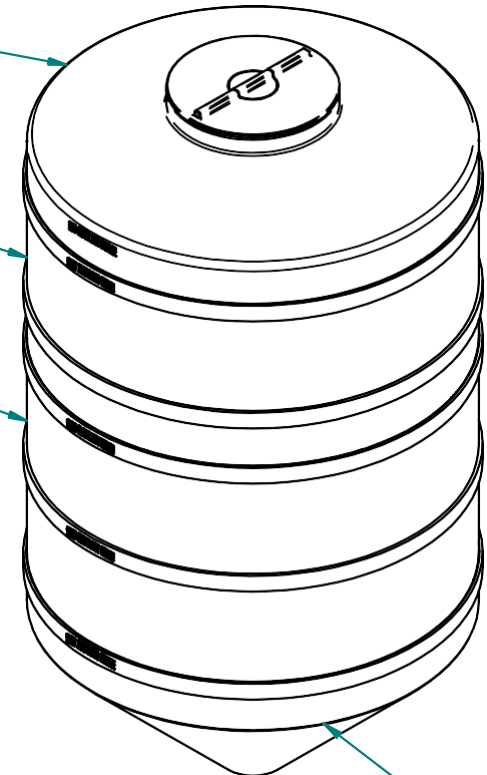


"A" Tank Head

"C" 150 Gallon Ring

"D" 200 Gallon Ring

"E" 100 Gallon Cone Body



Tank Mold Assembly Requires "A" Tank Head, "C" 150 Gallon Ring, "D" 200 Gallon Ring, and "E" Tank Cone Sections.



16160 Hwy 27 Lake Wales, FL 33859

	NA	DATE
DRAWN	ME	11/7/2005
CHECKED	Michael	05
ENG APPR		
MGR APPR		

TITL 500 Gallon Cone Tank	
E SIZE	MATERIAL: LMDPENatural
RE	V

UNLESS OTHERWISE SPECIFIED
DIMENSIONS ARE IN INCHES
ANGLES ±0.5°
2 PL ±0.125" 3 PL ±0.060"

FILENAME: 500GalCone.dft	PART#: 930501HD	WEIGHT:	SHEET 1 OF 1
--------------------------	-----------------	---------	--------------