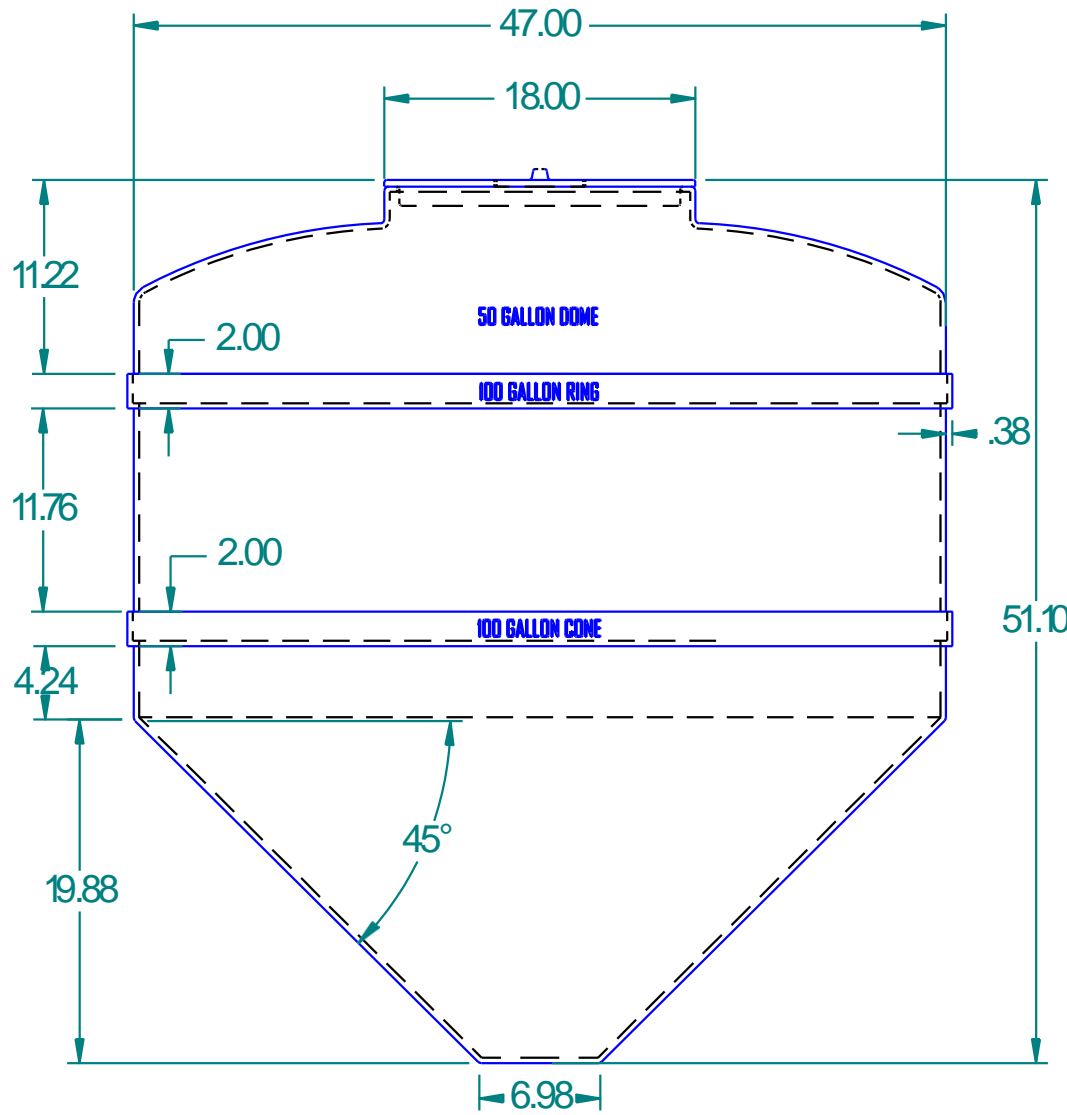
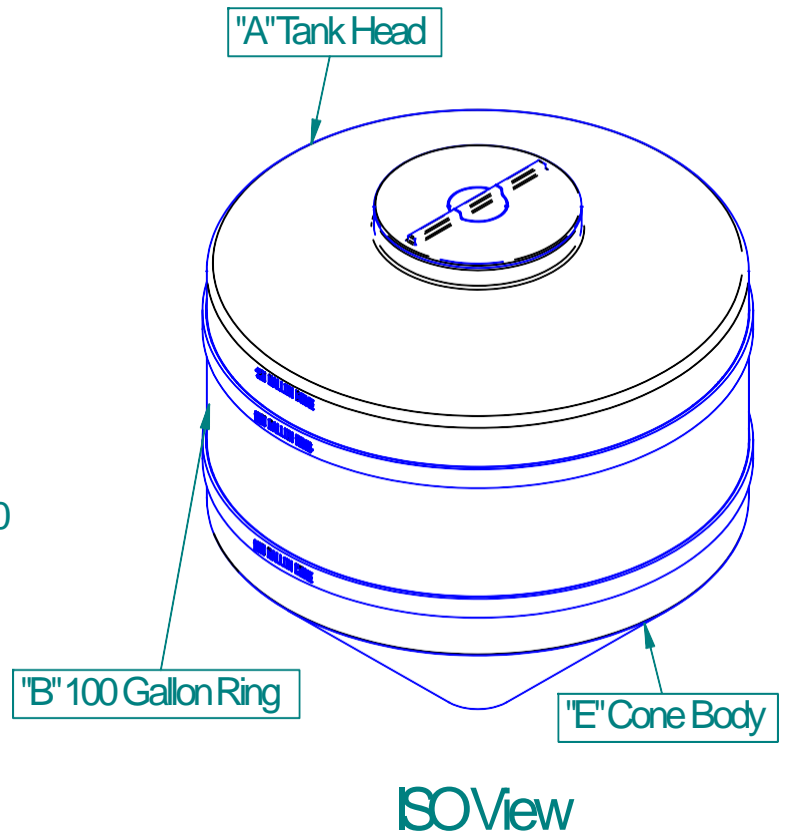


REVISION HISTORY

REV	DESCRIPTION	DATE	APPROVED
	approved for production	10/1/2003	



Front View



Tank Mold Assembly Requires "A" Tank Head, "B" 100 Gallon Ring, and "E" Tank Cone Sections.

	NAME	DATE
DRAWN	Michael1	8/29/2003
CHECKED		
ENGAPPR		
MGRAPPR		

DURACAST
 16160 Hwy 27 Lake Wales, FL 33859

TITLE 250 Gallon Cone Tank

SIZE A	MATERIAL LMDPENatural	REV
-----------	-----------------------	-----

FILE NAME 250ConeAssy.dft

PART# 930250HD	WEIGHT 74.438 lbm	SHEET 1 OF 1
----------------	-------------------	--------------

UNLESS OTHERWISE SPECIFIED
 DIMENSIONS ARE IN INCHES
 ANGLES ±0.5°
 2 PL ±0.125" 3 PL ±0.060"