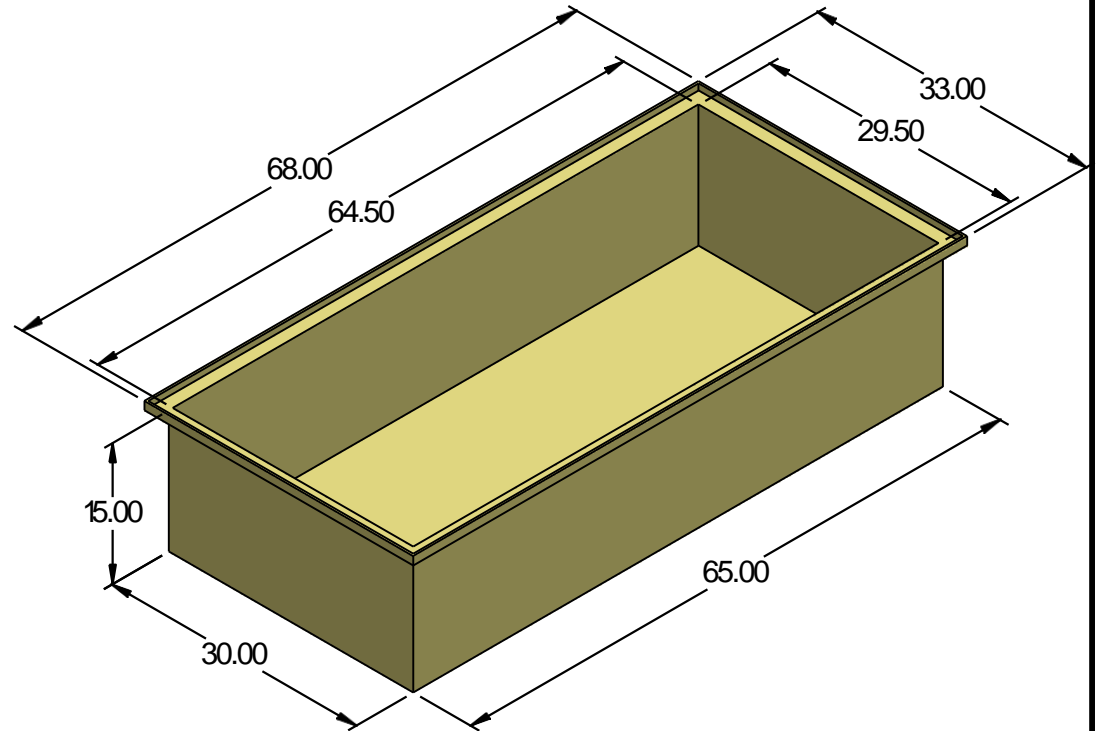
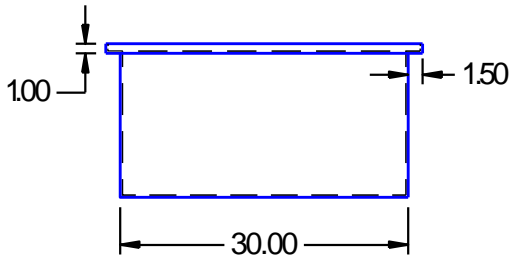


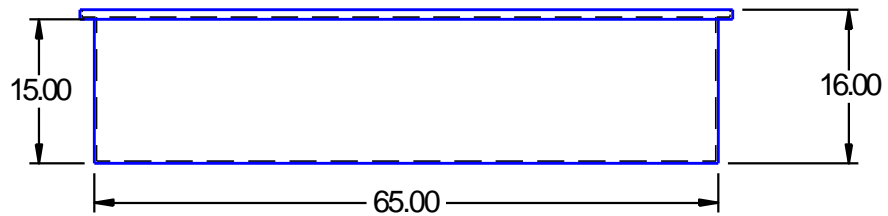
Top View



ISO View



Front View



Side View

note: open tank may need support if filling up beyond half way

Tank Capacity: 130 Gallons

REVISION HISTORY			
REV	DESCRIPTION	DATE	APPROVED



16160 Hwy 27 Lake Wales, FL 33859

	NAME	DATE
DRAWN	M.Utt	4/30/2004
CHECKED		
ENG APPR		
MGR APPR		

TITLE 65" x 30" x 15" Open Top		REV
SIZE A	Material: HDPENatural (200)	

FILE NAME: 65x30x15.dft		
Part#: 501140	WEIGHT: 44.453lbm	SHEET: 1 OF 1

UNLESS OTHERWISE SPECIFIED
DIMENSIONS ARE IN INCHES
ANGLES ±0.5°
2 PL ±0.125° 3 PL ±0.060°