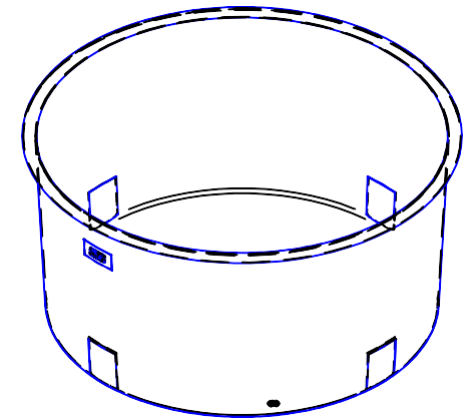
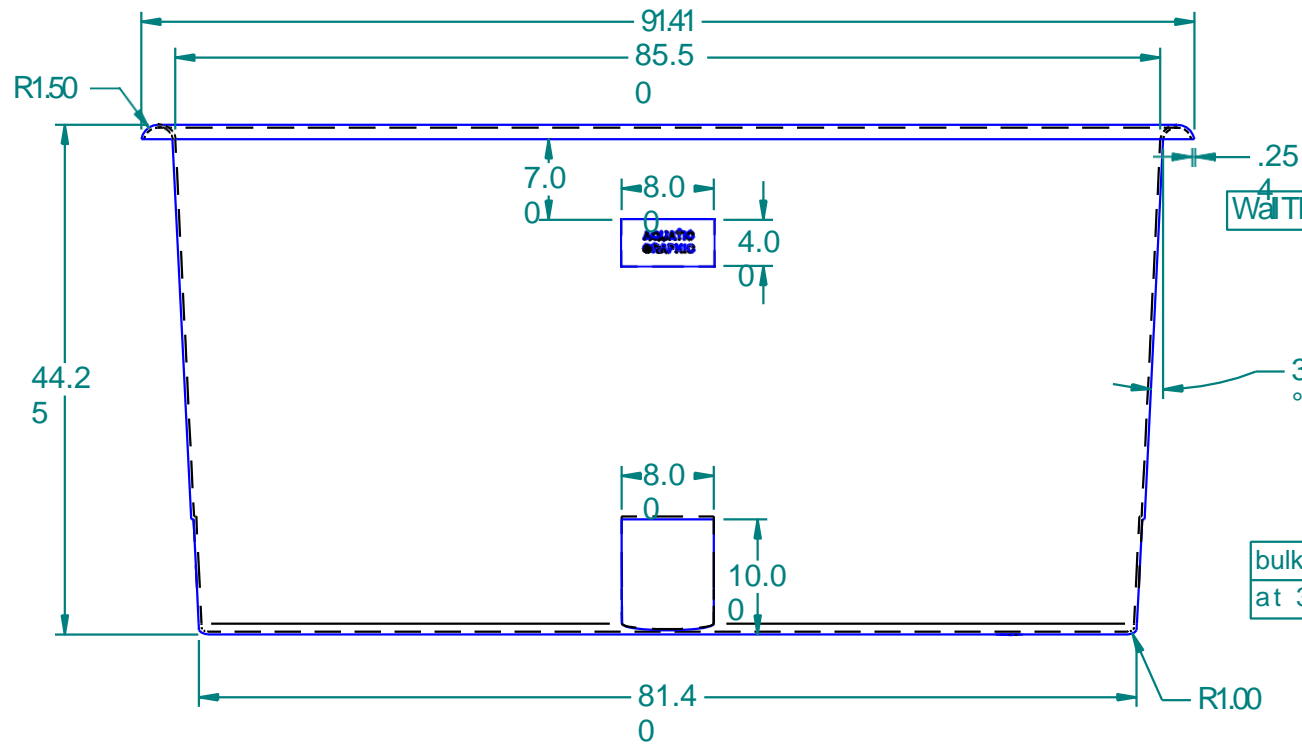


REVISION HISTORY

RE	DESCRIPTION	DATE	APPROVED
V			
1	increased draft angle from 2 to 3 degrees	2/11/04	
	released for production	2/11/04	



ISO View



.25 Wall Thickness

bulkhead pad remains at 3 v

Tank Capacity: 1000 Gallons

	NA	DATE
DRAWN	ME	2/19/2004
CHECKED	Michael1	
ENG APPR		
MGR APPR		



16160 Hwy 27 Lake Wales, FL 33859

TITL 1000 Gallon Open Top

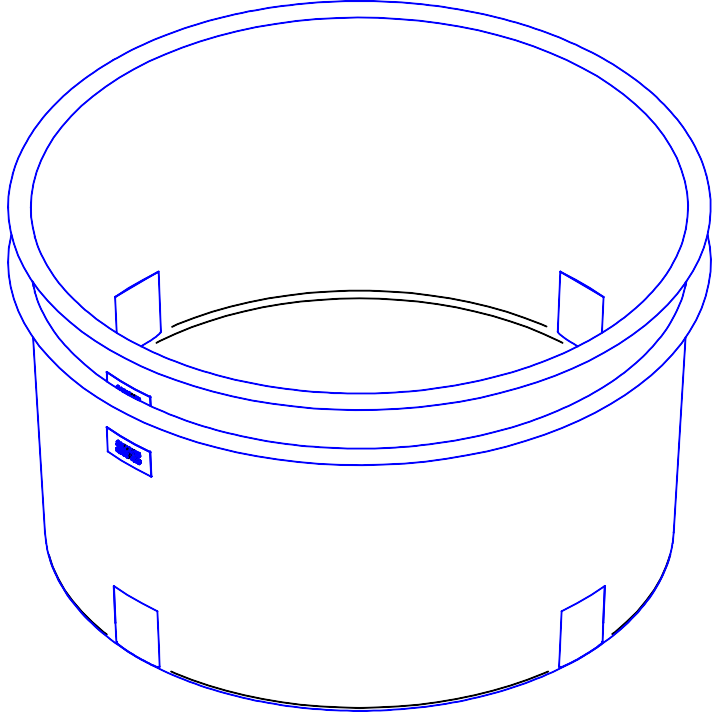
E SIZE	MATERIAL	REV
	1MDPE(114)Blue	1

UNLESS OTHERWISE SPECIFIED
DIMENSIONS ARE IN INCHES
ANGLES ±0.5°
2 PL ±0.125" 3 PL ±0.060"

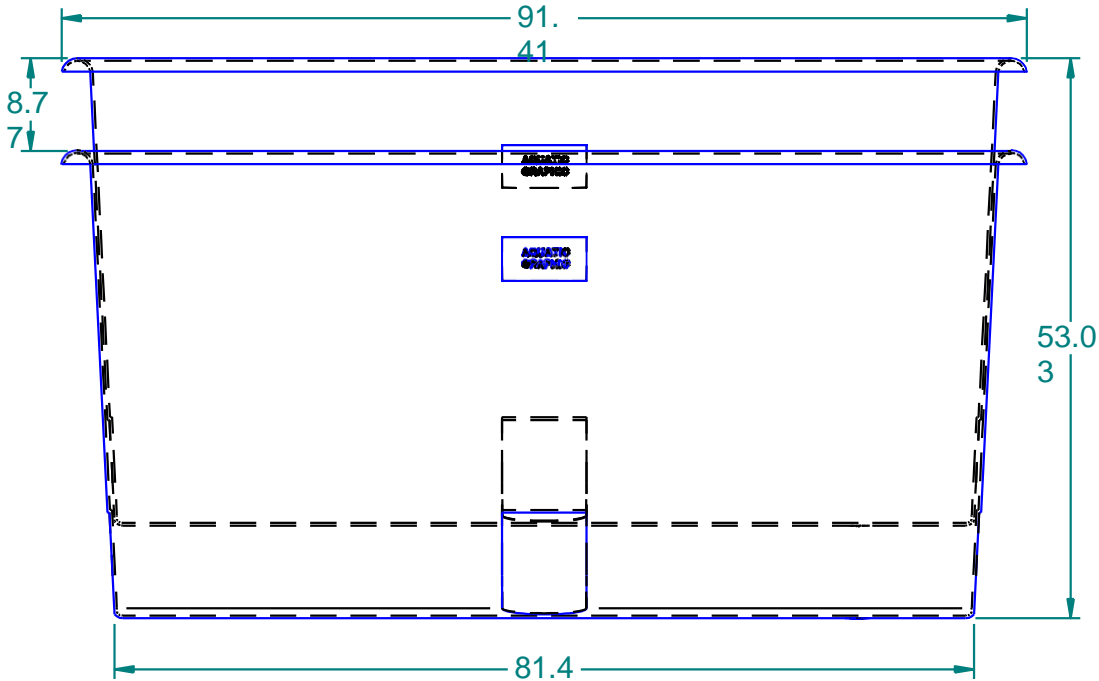
FILENAME VWT1000.dft

PART#: 501000	WEIGHT: 148.587 lbm	SHEET 1 OF 3
---------------	---------------------	--------------

REVISION HISTORY			
RE	DESCRIPTION	DATE	APPROVED
V			
1	increased draft angle from 2 to 3 degrees	2/11/04	
	released for production	2/11/04	




ISO View Nested



Nested View

Tank Capacity: 1000 Gallons

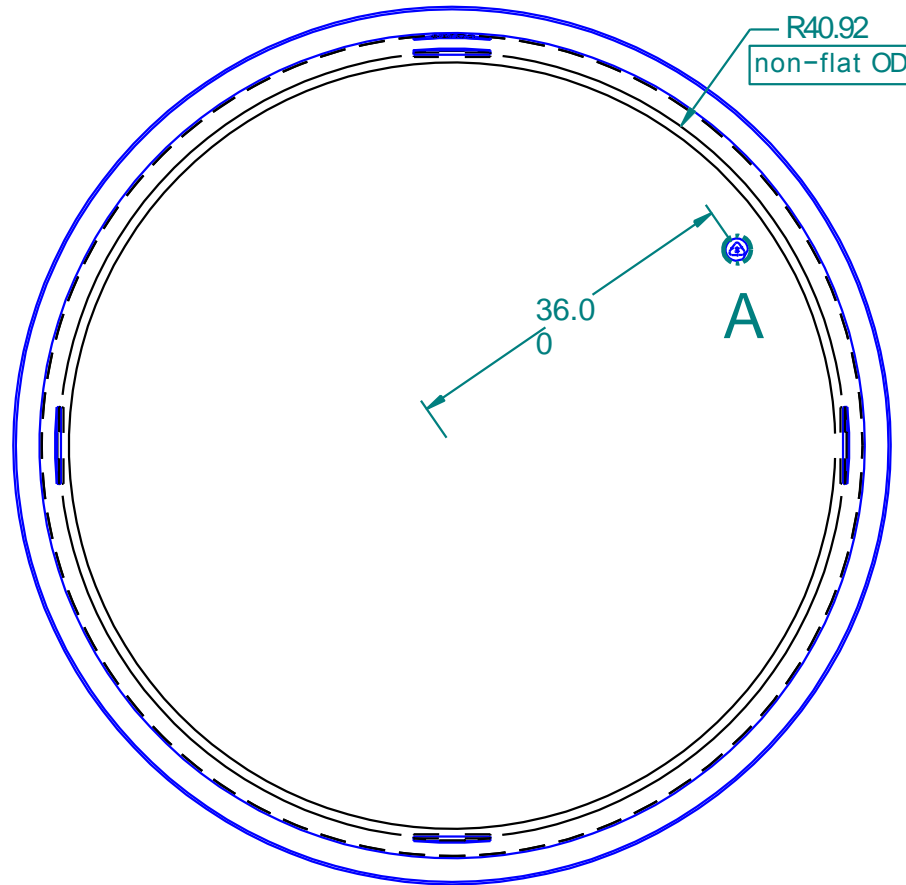
	NA	DATE
DRAWN	ME	2/19/2004
CHECKED	Michael1	
ENG APPR		
MGR APPR		

		16160 Hwy 27 Lake Wales, FL 33859
TITL 1000 Gallon Open Top		
E	MATERIAL 1MDPE(114)Blue	REV 1
SIZE	FILE NAME VWT1000.dft	
PART#	501000	WEIGHT: 148587lbm
		SHEET 2 OF 3

UNLESS OTHERWISE SPECIFIED
 DIMENSIONS ARE IN INCHES
 ANGLES ±0.5°
 2 PL ±0.125" 3 PL ±0.060"

REVISION HISTORY

RE	DESCRIPTION	DATE	APPROVED
V			
1	increased draft angle from 2 to 3 degrees	2/11/04	
	released for production	2/11/04	



Bottom View

Recycle Logo

#2, HDPE



DEVALA

Note: Logo location not critical, cannot be on center.

Tank Capacity: 1000 Gallons

	NA	DATE
DRAWN	ME	2/19/2004
CHECKED	Michael1	
ENG APPR		
MGR APPR		



16160 Hwy 27 Lake Wales, FL 33859

TITL 1000 Gallon Open Top

E SIZE MATERIAL 1MDPE(114)Blue

REV 1

UNLESS OTHERWISE SPECIFIED
DIMENSIONS ARE IN INCHES
ANGLES ±0.5°
2 PL ±0.125" 3 PL ±0.060"

FILENAME VWT1000.dft

PART#: 501000

WEIGHT: 148587/lbm

SHEET 3 OF 3