

tanks are designed to be used in a horizontal position. rectangular tanks used in vertical position may require additional wall thickness or external support

tanks are not rated for gasoline or aromatic solvents

tank resins are fully uv stabilized

most size tanks are available in standard wall thickness shown or heavy duty

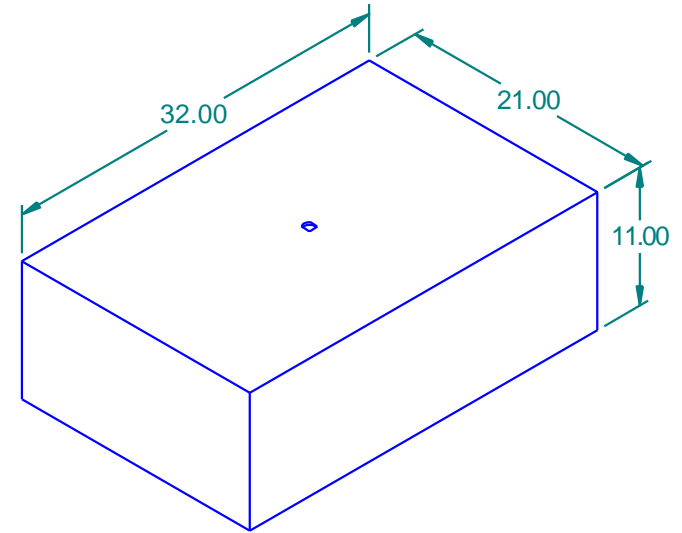
allow +/- 1% on tank dimensions for overall size variances

vent hole on tank will be welded shut if not used for fitting location

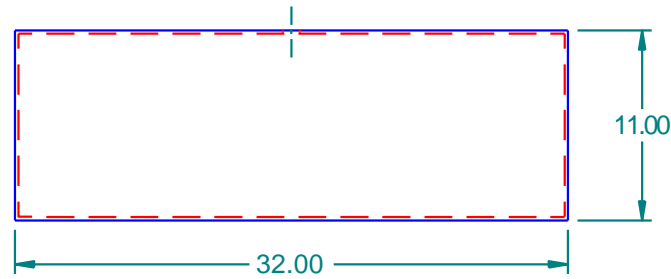
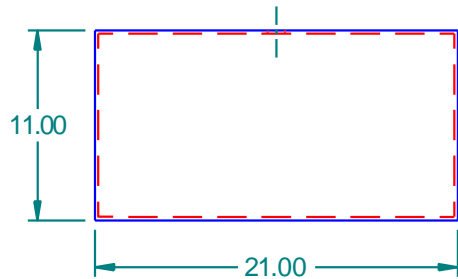
tank plastic resin is fda compliant based on manufacturer's specifications

tanks meet abyc and uscg requirements for marine water and holding tank applications


REVISION HISTORY			
REV	DESCRIPTION	DATE	APPROVED



ISO View 130030



wall thickness: .200"

Tank Capacity: 30 Gallons			 16160 Hwy 27 Lake Wales, FL 33859		
DRAWN	NAME	DATE			
	mputt	1/25/2004	TITLE 30 Gallon Plastic Tank		
CHECKED			SIZE A	MATERIAL 1 MDPE Natural	REV
ENG APPR			FILE NAME: 130030.dft		
MGR APPR			PART# 130030	WEIGHT 16.717 lbm	SHEET 1 OF 1
UNLESS OTHERWISE SPECIFIED DIMENSIONS ARE IN INCHES ANGLES ±0.5° 2 PL ±0.125" 3 PL ±0.060"					